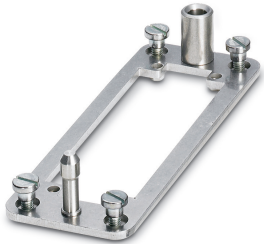


Docking frames - HC-B 24-ANDOCK - 1586141

Please be informed that the data shown in this PDF Document is generated from our Online Catalog. Please find the complete data in the user's documentation. Our General Terms of Use for Downloads are valid (<http://phoenixcontact.com/download>)



Docking frame for racks, for contact inserts of B24 type, with four M5 flat headed screws, rack balance x/y axis ± 1.5 mm



Key Commercial Data

Packing unit	1 pc
Minimum order quantity	2 pc
GTIN	 4 046356 345750
GTIN	4046356345750
Weight per Piece (excluding packing)	120.000 g
Custom tariff number	85389099
Country of origin	China

Technical data

Dimensions

Height	146 mm
Width	55 mm

General

Assembly instructions	Due to the floating docking frame, a metal attachment panel must be grounded.
Connection	For contact inserts from series B24, D64, DD108, BB46, BBB64, K, M
Material	Stainless steel
Type	B24
Protective ground connection	no
Number of module slots	6

Docking frames - HC-B 24-ANDOCK - 1586141

Technical data

General

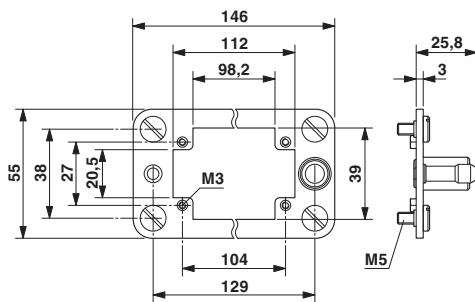
Insertion/withdrawal cycles	≥ 500
Ambient temperature (operation)	-40 °C ... 125 °C

Environmental Product Compliance

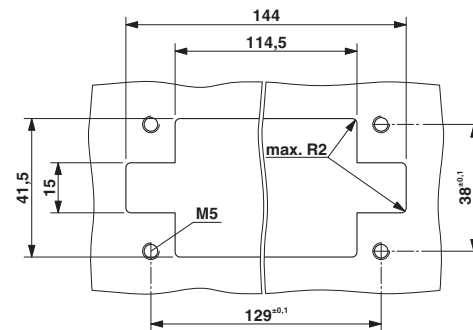
China RoHS	Environmentally Friendly Use Period = 50 years
	For details about hazardous substances go to tab "Downloads", Category "Manufacturer's declaration"

Drawings

Dimensional drawing



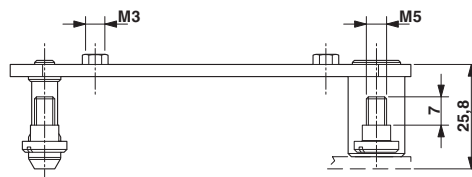
Dimensional drawing



Dimensional drawing

Mounting cutout

Dimensional drawing



max. dimensions of both the docking frames (in case of standard contacts 25.8 mm; in case of fiber optics contacts 27 mm; in case of pneumatic contacts 26.5 mm)

Classifications

eCl@ss

eCl@ss 10.0.1	27440206
eCl@ss 11.0	27440206

Docking frames - HC-B 24-ANDOCK - 1586141

Classifications

eCl@ss

eCl@ss 4.0	27260700
eCl@ss 4.1	27260700
eCl@ss 5.0	27189200
eCl@ss 5.1	27189200
eCl@ss 6.0	27261200
eCl@ss 7.0	27440210
eCl@ss 9.0	27440206

ETIM

ETIM 3.0	EC002310
ETIM 4.0	EC002310
ETIM 6.0	EC002312
ETIM 7.0	EC002312

UNSPSC

UNSPSC 6.01	30211817
UNSPSC 7.0901	39121416
UNSPSC 11	43172601
UNSPSC 12.01	39121522
UNSPSC 13.2	39121421
UNSPSC 18.0	31261501
UNSPSC 19.0	31261501
UNSPSC 20.0	31261501
UNSPSC 21.0	31261501